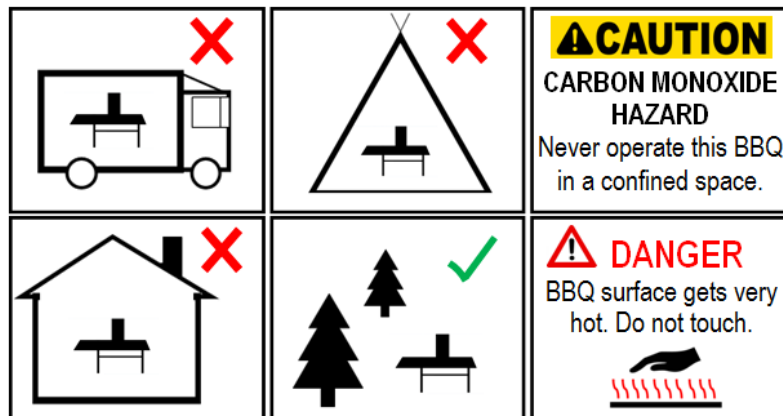


# The Tawi stove

Made by

ESSE



**WARNING!** This stove will become very hot; do not move during operation.

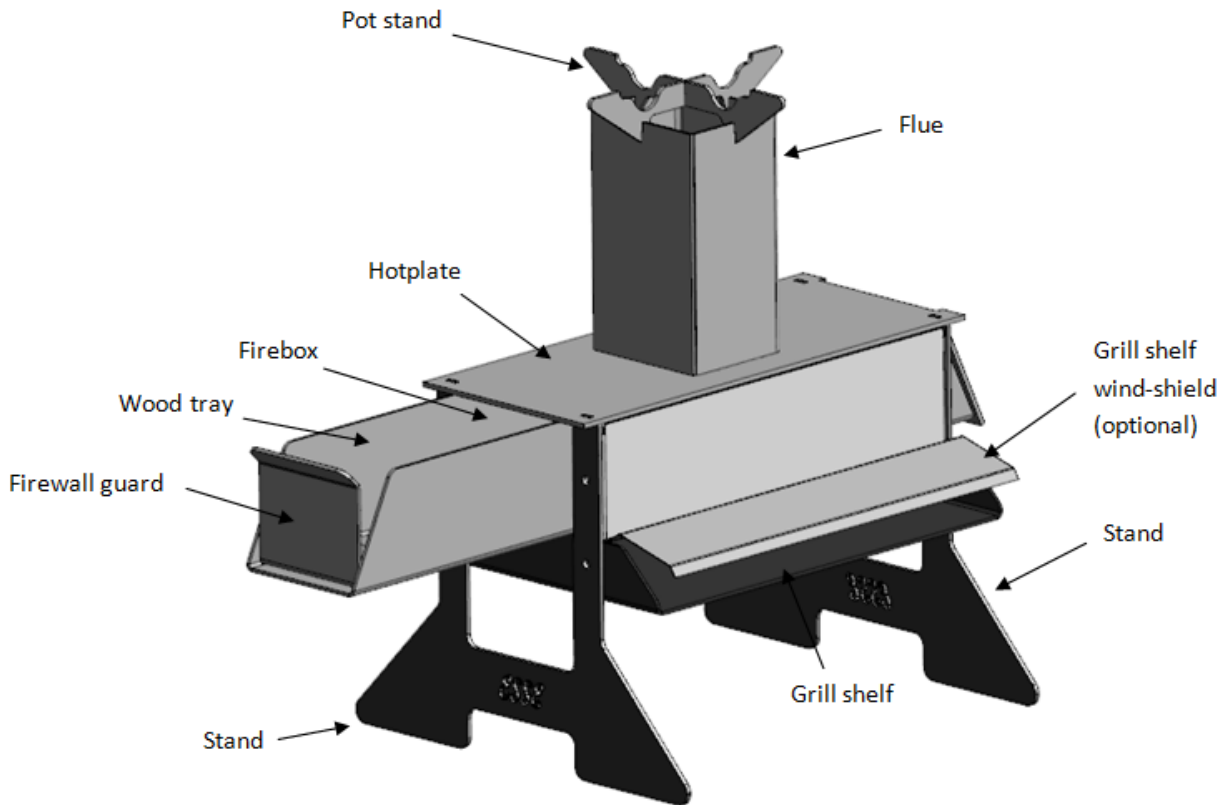
Do not use indoors!

**WARNING!** Do not use spirit or petrol for lighting or re-lighting! Use only firelighters complying with EN 1860-3!

**WARNING!** Keep children and pets away.

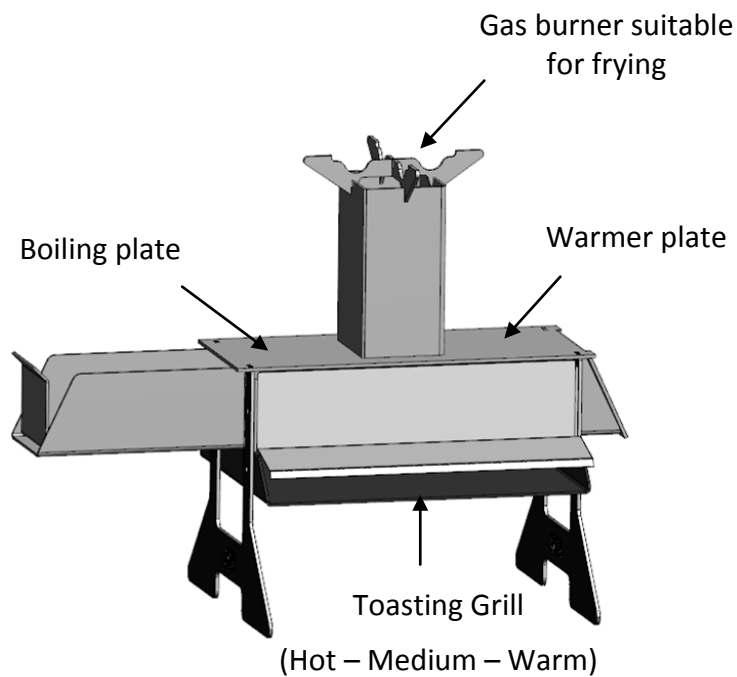
The Tawi is a unique stove which operates in a unique way; to avoid frustration it is important that you read these instructions.

## Tawi stove parts



(You will also be supplied with a cotton tote bags, scraper and heat hesitant mitt)

## Cooking surfaces



### About:

The Tawi stove is designed to 'catch' carbon dioxide while you cook. It does this by turning the wood you burn into activated charcoal (biochar). This activated charcoal has a multitude of uses, from enhancing your compost to eliminating unpleasant odours. Find out more at: [www.carbonfarmers.world](http://www.carbonfarmers.world).

### Assembly instructions:

- To attach the flue to the firebox, slot base of the flue into the opening in the hotplate. Push the flue towards the front of the hotplate and slot it into place.
- Insert the pot stand into the slots located around the top of the flue; make sure the pot stand is pushed down completely.
- To attach the wood tray to the firebox, slot the peg located at the base of the wood tray into the slot located in the front of the firebox. Lift the wood tray into place and secure with the pegs supplied.

### Specifications:

- Firebox, flue: 3mm steel plate.
- Stand, pot stand, hotplate: 4mm steel plate.
- Suitable for dry wood only.
- Surface treatment: heat resistant paint.

### Dimensions and weight:

- Total height: 56cm.
- Total length: 72cm.
- Total width: 37cm.
- Weight: 18kg

### Cooking:

Your Tawi stove has four cooking surfaces:

1. The hotplate in front of the flue can reach temperatures in excess of 400°C; this is ideal for boiling liquids in a small kettle or saucepan.
2. The wood gas flame from the flue is best used for frying food in a wok or frying pan (please be aware that the bottom of any pan you use may become sooty).
3. The hotplate directly behind the flue can be used to keep your food warm.
4. The grill shelf is used for toasting; you can make an excellent Welsh rarebit here! The area under the front of the firebox is the hottest. Place items to be toasted close to, but not touching, the base of the burner.

### Maintenance:

We recommend you store your Tawi stove under cover when not in use. If you leave your stove outside, it is important that you do not allow rainwater to enter the flue, where soot deposits will cause excessive corrosion. When not in use, cover the flue with a flowerpot drip-tray, or another similar item.

The Tawi stove is manufactured in the UK by: ESSE, Ouzledale Foundry, Long Ing, Barnsoldswick.

Available online at: [www.carbonfarmers.world](http://www.carbonfarmers.world)

## Safety instructions – *please read before use*

The Tawi stove operates in a unique way; therefore it is very important that you read these safety instructions carefully. Also watch the 'operating instructions' video on our website, [www.carbonfarmers.world](http://www.carbonfarmers.world), and read the operating instructions page.

### Locating your Tawi stove

- If possible, choose a location sheltered from wind gusts.
- Face the entrance of the stove into any wind there is; this will make lighting easier.
- Site the Tawi stove on firm, level ground, well away from flammable objects, awnings, bushes etc.
- Do not put your Tawi stove on an unprotected flammable surface, such as decking.
- **Never use in an enclosed space. Like all stoves and open fires, Carbon Monoxide is produced. ONLY use outdoors.**

### Operational considerations

- Only to be operated by a competent adult who has read the operating instructions and watched the associated video.
- **CHILDREN AND PETS MUST BE KEPT AT A SAFE DISTANCE.** Do not use this stove unless you are confident that children and pets can be kept at a safe distance.
- **The Tawi stove gets very hot; do not touch the metal surfaces.**
- **Never leave the Tawi stove unattended when alight.**
- **Do not use spirits or petrol for lighting or re-lighting.**
- Only use firelighters that comply with **EN 1860-3**.
- Never use treated/painted wood as fuel.
- Do not move the Tawi stove when alight.
- Do not allow the fire to burn back into the open area of the firebox.
- Always ensure the 'fire wall' is placed behind the wood stack in the firebox.
- Place a bucket, quarter filled with water, under the open end of the firebox.
- If the fire goes out, relight it as per the instructions. If you cannot relight it, scrape the contents of the firebox out and extinguish it. Then start again. The smoke produced when the fire accidentally goes out is toxic – **do not breathe it in!**
- Before you leave the Tawi stove make sure the burning contents of the firebox have been scraped out and extinguished. Watch out for hot sparks and toxic smoke while doing this. The Tawi stove will remain hot for several minutes after use.
- Keep these safety instructions in a safe place. If the Tawi stove passes to a new owner, make sure that this instruction pamphlet accompanies it.

## Tawi stove operating instructions

Your Tawi stove is designed to burn small sticks. These should be collected from the ground. It does not matter how small or short the sticks you burn are, but you do not want to use anything bigger than 2.5cm in diameter. You also need to try and avoid wood that has been spilt to make it smaller; that tends to burn too quickly. The photograph opposite shows the sort of sticks that you should try and use. (Note the 30cm ruler for size comparison)



Like all improved stoves, it is most important that the wood you burn is **really dry** and snaps in half easily. If it is not dry, you will not get the right amount of heat and you will only make a small amount of biochar.

### Set-up and light the Tawi stove as shown below:

Point the firebox entrance into the wind; if there is any.

Place a layer of your larger sticks in the wood tray. Push the ends about 2cm into the firebox.



Use the scraper to form a bridge half way along the wood tray. Place sticks on the scraper with the ends protruding into the firebox.



Place a firelighter under the sticks. This is what your set-up should look like in cross-section.



Light the firelighter & allow the sticks to catch fire. You can use paper instead of a fire lighter.



When the sticks are burning well, remove the scraper while supporting the sticks as shown.



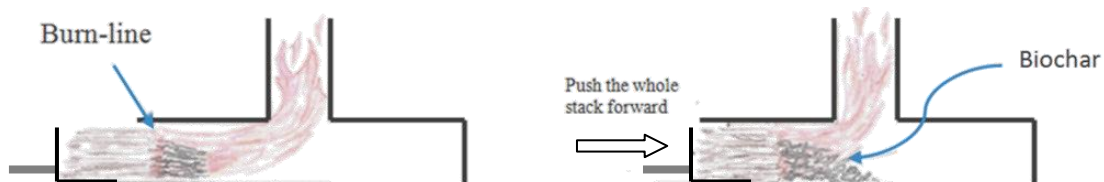
Fill the wood tray up to the top with sticks. **Do not place the stick ends beyond the burn-line.** Push the whole stack 5-10cm into the firebox.



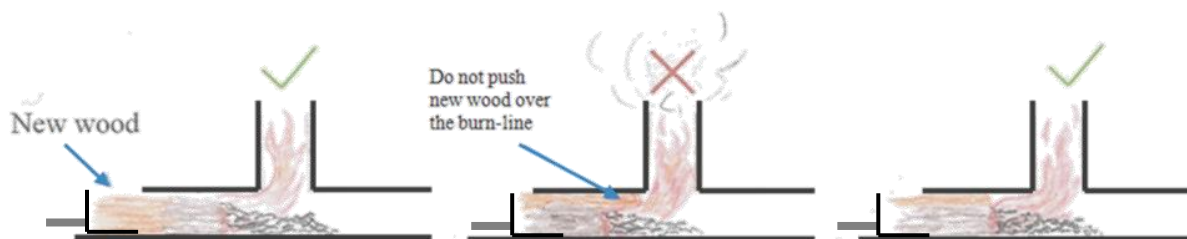
Use these written instructions in conjunction with the instruction video, which can be found at:

[www.carbonfarmers.world/how-it-works/](http://www.carbonfarmers.world/how-it-works/)

If you have managed to light the stove successfully, the fire will start to burn back along the stack. As soon as the fire reaches the entrance to the firebox, again push the whole stack in by no more than 10cm. The biochar you are making is pushed to the back of the stove, where it cools.



It is very important that you move the whole stack in one go. If you push some sticks in more than others, your stove will start to smoke. You need to keep the firebox full of sticks, unless there is too much flame. As the stack burns back, keep moving it forward as described above. If you need to add more wood to the top of your stack, make sure you don't push the new wood over the top of the burn-line. If you do, the fire will start to smoke. To maintain a continuous burn, extend the stack with new wood. Remember, you should keep the chamber full of wood.



You need to keep the fire burning in a straight line. If it starts to burn along one side of the stack faster than the other side or along the bottom faster than the top, carefully adjust the stack until the burn-line is even again. If you always place the larger sticks on the bottom of the stack, the burn-line will remain consistent.



When you have finished cooking, rake out the un-burnt sticks and biochar (use the glove and scraper provided). Quickly douse them with water or rake them into a bucket partly filled with water. You will get some smoke while doing this; do not breathe it in!



Separate any un-burnt wood from the biochar; dry it and keep it for next time.

We recommend you watch the instructions movie at: <https://www.carbonfarmers.world/how-it-works/>

*Please contact us if you have any questions or concerns.*

**HAVE YOU READ THE SAFETY INSTRUCTIONS?!**